



**正昌粮机股份**  
ZHENGCHANG CEREAL AND FEED MACHINERY



## SZLH Series Pellet Mill

Stability and Reliability Help Achieve Long-term Development

饲料机械 中国正昌



# Zhengchang — The Pioneer of China's First and Largest Pellet Mill 正昌粮机股份 ZHENGCHANG CEREAL AND FEED MACHINERY

Zhengchang pellet mills have been sold over 9,000 units, 65% of Chinese feed manufacturers and 6,800 global feed enterprises are using Zhengchang equipment, with the pelleting efficiency 15% higher.

Zhengchang specializes in the research and development of pellet mill for several decades. In 1998, Zhengchang acquired the pellet mill factory invested by American CPM in China. The quality is better and the efficiency is higher.

Zhengchang Pellet Mill, a famous brand in Asia.





## Pellet Mill Models

Model	SZLH200	SZLH350	SZLH400D	SZLH420D	SZLH508H	SZLH558 E	SZLH678D	SZLH768	SZLH858A
Capacity (t/h)	0.5	5~7	8~12	10~15	15~20	18~26	22~32	28~36	30~45
Main Power (KW)	5.5	55	90	110	160	185/200	220/250	250/280	315/355
Ring Die Diameter (mm)	200	350	400	420	508	572	673	762	858
Feeder Power (KW)	0.25	1.1	1.5	1.5	1.5	1.5	2.2	2.2	2.2
Conditioner Power (KW)	1.5	3	5.5	5.5	11	11	15	15	15
Model	SZLH968	SZLH1068	SZLH1208		SZLH535 ×190	SZLH580 ×210	SZLH700 ×250	SZLH800 ×285	
Capacity (t/h)	40~55	45~60	60~80		16~22	20~28	25~35	30~42	
Main Power (KW)	400	450	560/630		160	200	250	315	
Ring Die Diameter (mm)	968	1068	1208		535	580	700	800	
Feeder Power (KW)	3	3	3		1.5	1.5	2.2	2.2	
Conditioner Power (KW)	22	22	37		11	11	15	15	

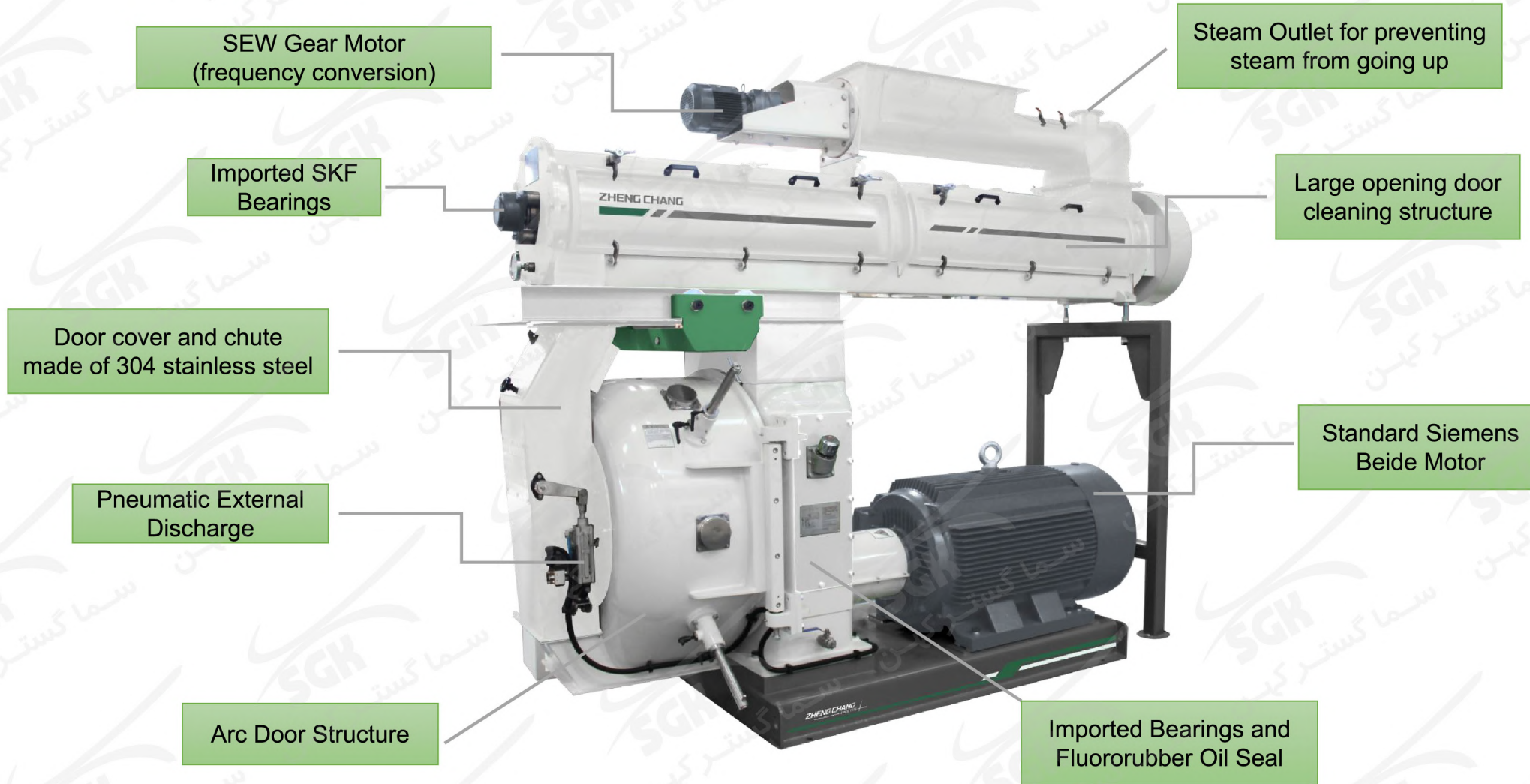


# Working Principle of Pellet Mill



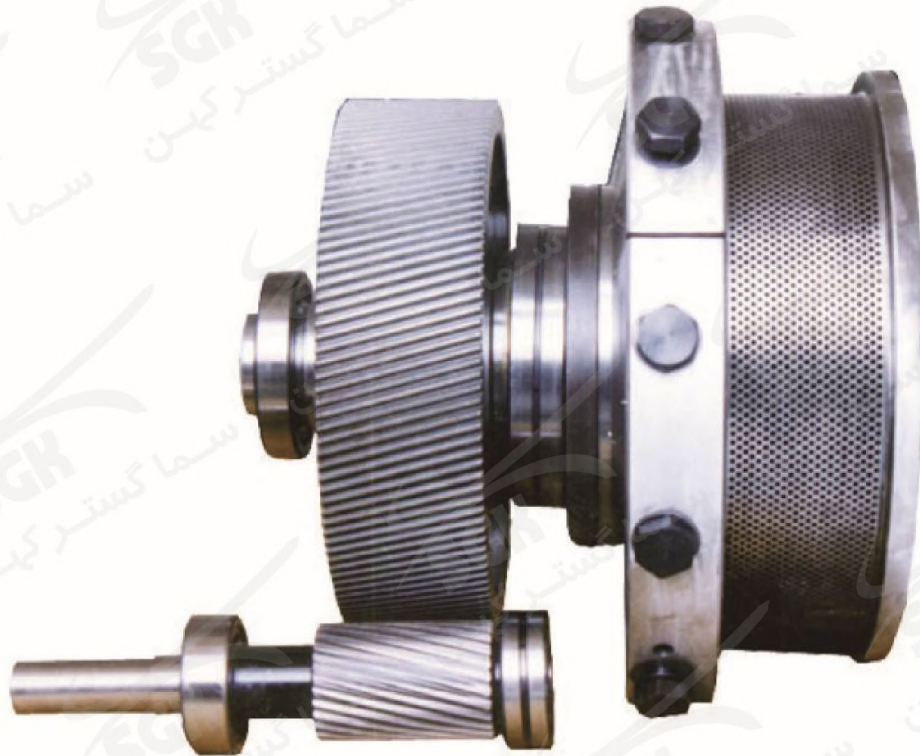


# Pellet Mill Configuration





# Pellet Mill Technical Features



1. The model ranges from SZLH200 to SZLH1208, with the power ranges from 5.5KW to 630KW and the capacity ranges from 500kg/h to 75t/h, meeting the current capacity needs of feed manufacturers;
2. Using one-stage gear transmission, with the transmission efficiency as high as 99%;
3. Design different effective width and line speed of the dies according to different raw materials;
4. The structure of the pressing chamber of the pellet mill has been improved with a simpler adjustment method for the roller shell. The structure of the die cover has added a material guide mechanism so that the material can enter the pressing chamber more uniformly.

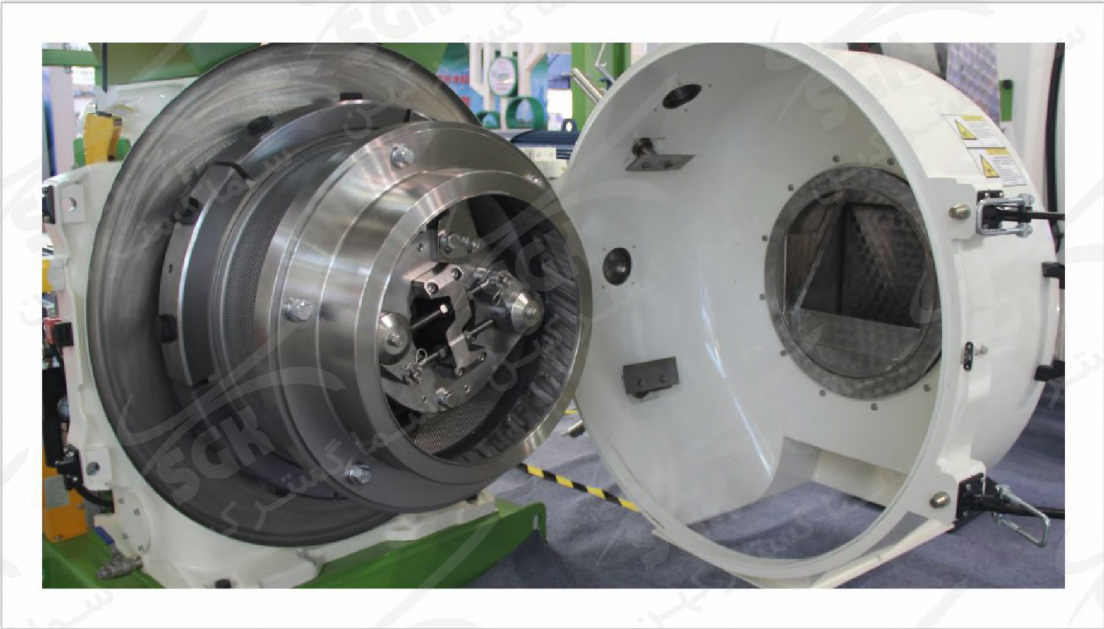
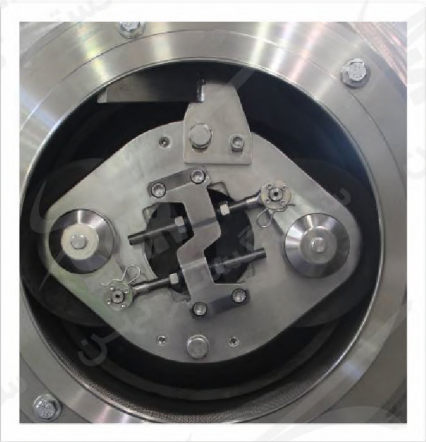


# Pellet Mill Configuration



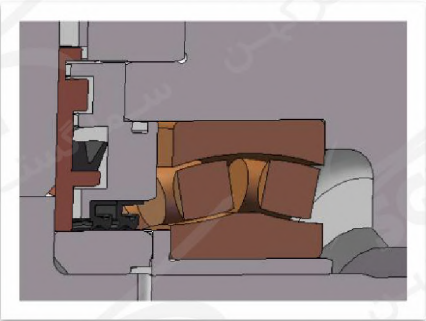
Arc Door

Distance Adjustment Structure



Safety Switch

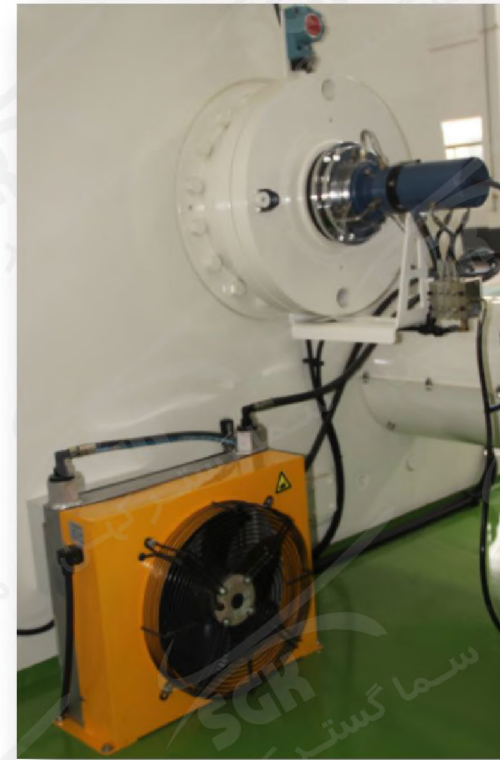
Sealed Structure





## Pellet Mill Configuration

The thin oil cooling and lubricating system outside the machine can pump out the oil in the box through the oil pump and return it to the box through the key bearing after being cooled by the fan, which not only reduces the temperature of the oil in the box, but also cools the key bearings of the main shaft, quill shaft, pinion shaft, etc.





## Pellet Mill Configuration

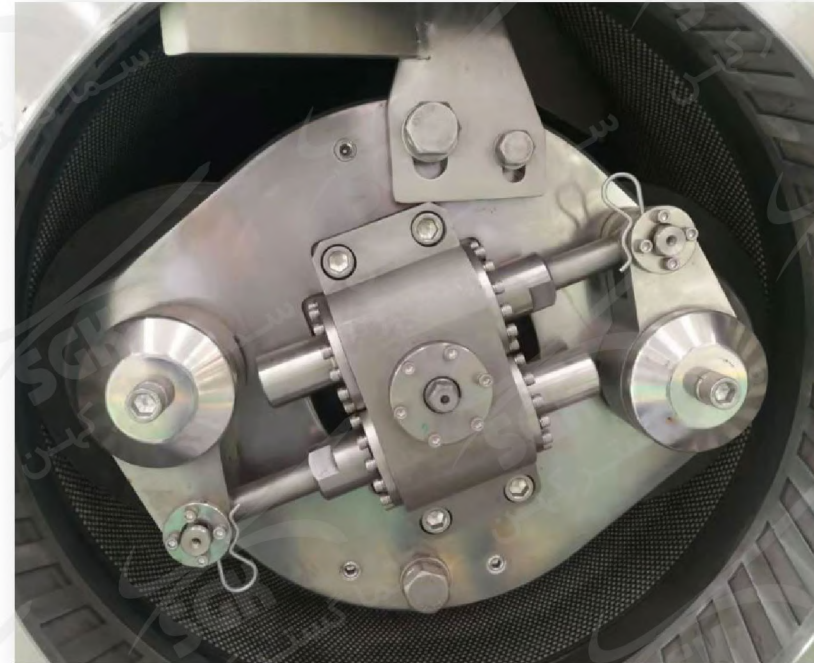
The control system regularly and quantitatively adds grease to the roller shell and bearing to lubricate the bearing, without stopping the machine and adding grease manually.





## Pellet Mill Configuration

The pneumatic die and roller shell distance adjustment mechanism enable to adjust the die and roller shell distance without stopping the machine, and can quickly keep the roller shell away from the die to realize automatic adjustment of the die and roller shell distance.



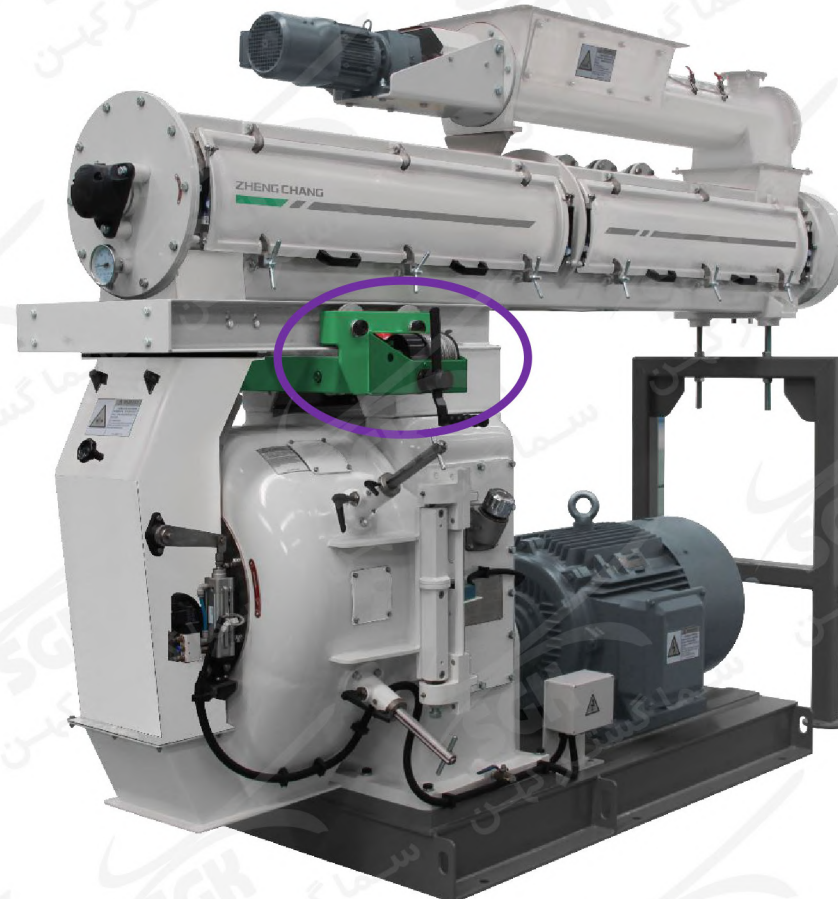


## Pellet Mill Configuration

It can be equipped with electric die hoist or manual die hoist, which is convenient for quick disassembly and assembly of the die, roller shell and other spare parts.



electric die hoist



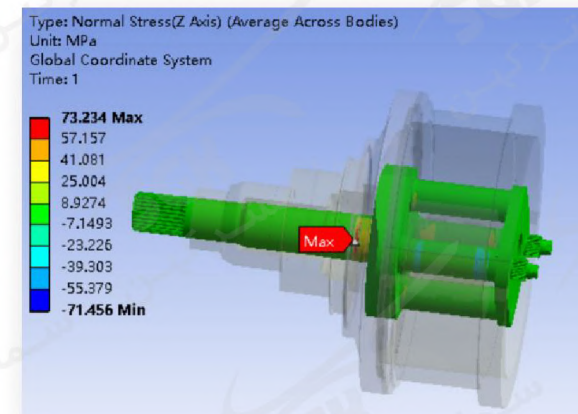
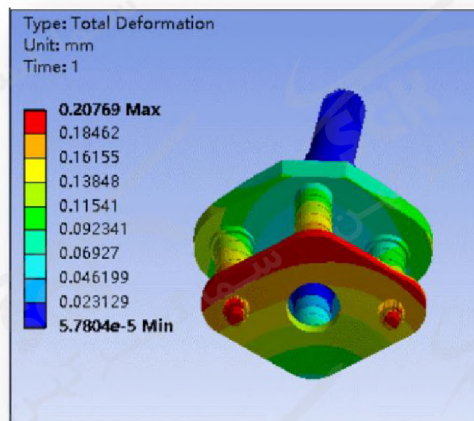
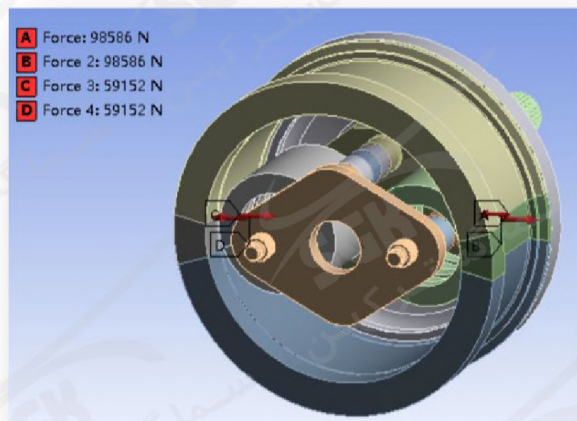
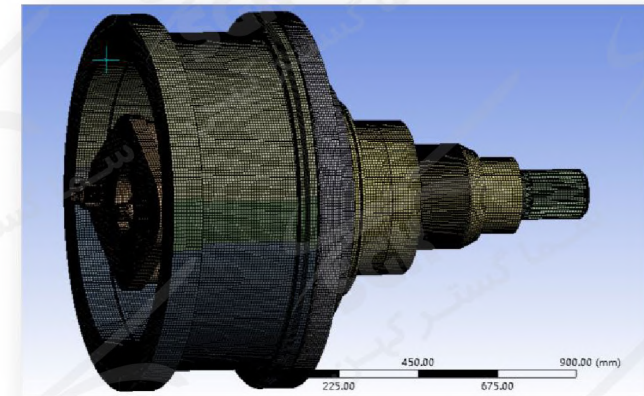
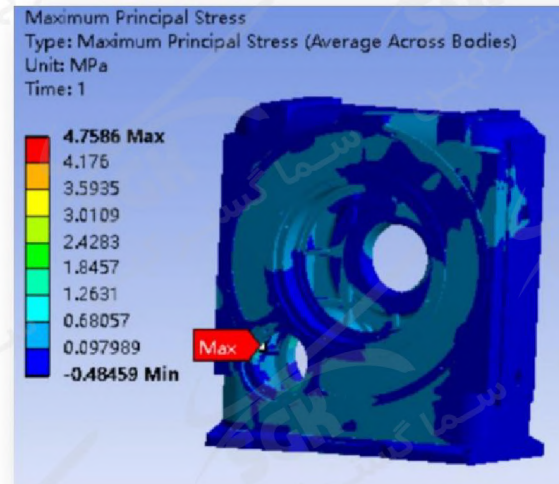
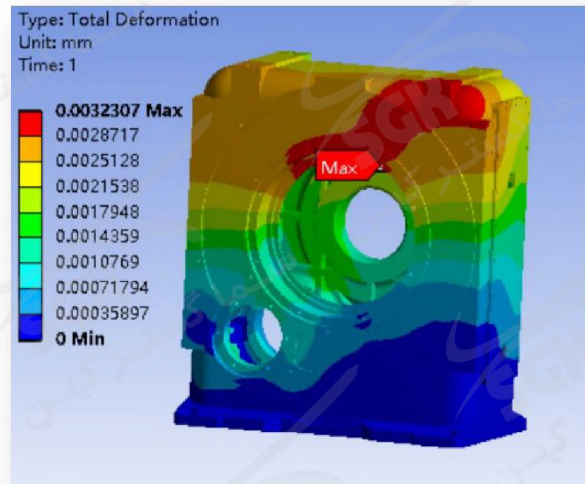
manual die hoist







# CAE Analysis of Key Parts of Pellet Mill





# Pellet Mill for Pig Feed

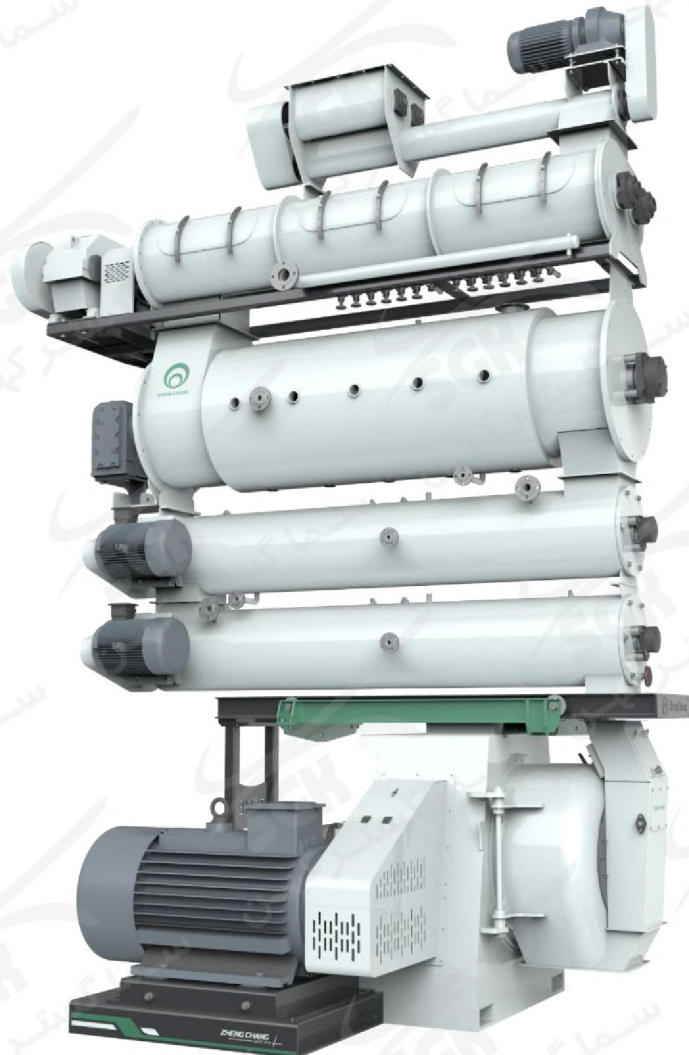


- Adjust the linear speed of the die on the basis of livestock and poultry feed according to the characteristics of pig feed.
- Widen the working width of the die to increase the working area , and enhance the capacity of the equipment.
- The bearing of the main drive system is improved to make the equipment run more stably.

Model	Power (KW)	Capacity (t/h)
SZLH420DW	110	8-18
SZLH678DW	250	15-36



# Belt Type Pellet Mill for Shrimp Feed

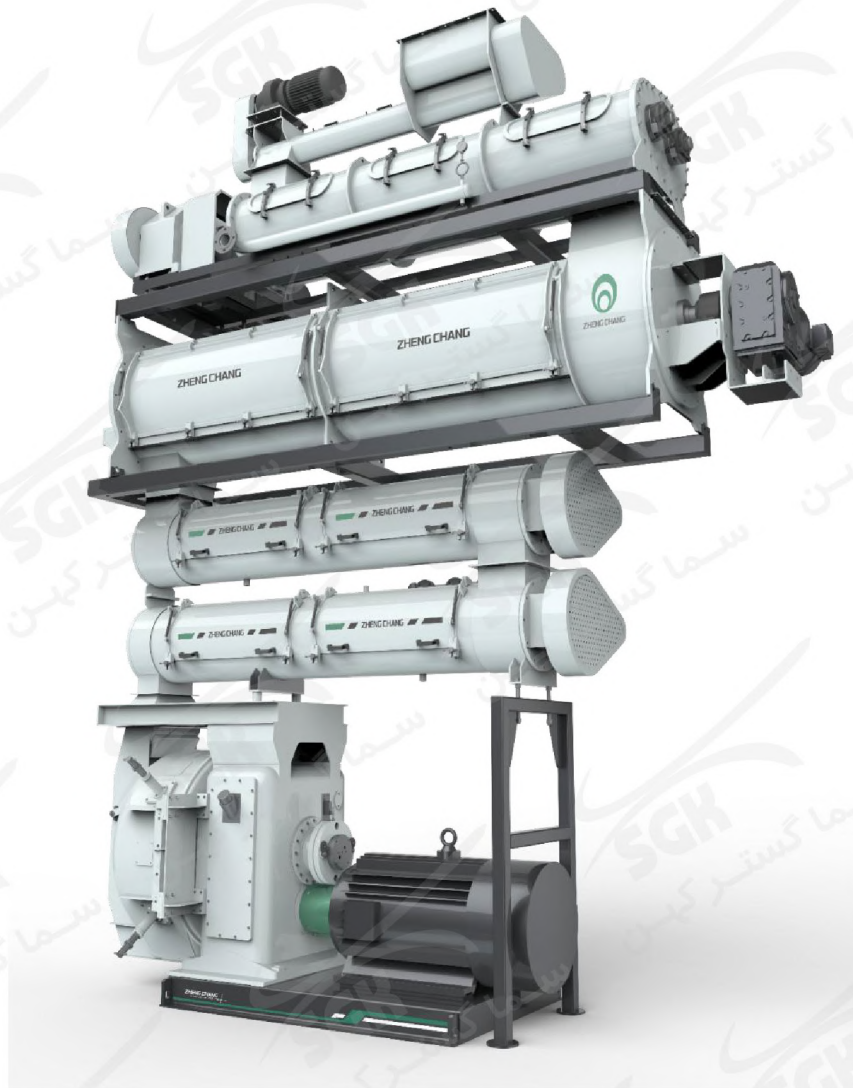


- Belt transmission is adopted which is stable and more suitable for small die hole shrimp feed pelleting;
- It is fixed by a quick-release die clamp, which is convenient for disassembly and assembly; the ultra-thin knife makes the cutting surface of the pellet smoother;
- Equipped with a pulley speed measuring device to realize the shutdown protection when the belt slip;
- Optimize the structure of the feed scraper to make the feeding uniform in the pressing area and ensure better length uniformity of the extruded pellets.

Model	Power (KW)	Die Diameter (mm)
SZLH530x	132/160	530
SZLH600x	160	600



# Gear Type Pellet Mill for Shrimp Feed



- Gear type transmission structure: the transmission gear is made of high-strength alloy steel, and the tooth surface is precision ground and repaired to ensure that the equipment runs more smoothly, with low noise and high transmission efficiency.
- Equipped with imported high-quality bearings: the equipment operates stably and has a long service life.
- Optimize the line speed of the die and the size of the die and roller shell, which is suitable for shrimp feed production.

Model	Power (KW)	Die Diameter (mm)
SZLH520X	90	420
SZLH880X	250	673



## Pellet Mill for Sawdust and Pasture Pellet

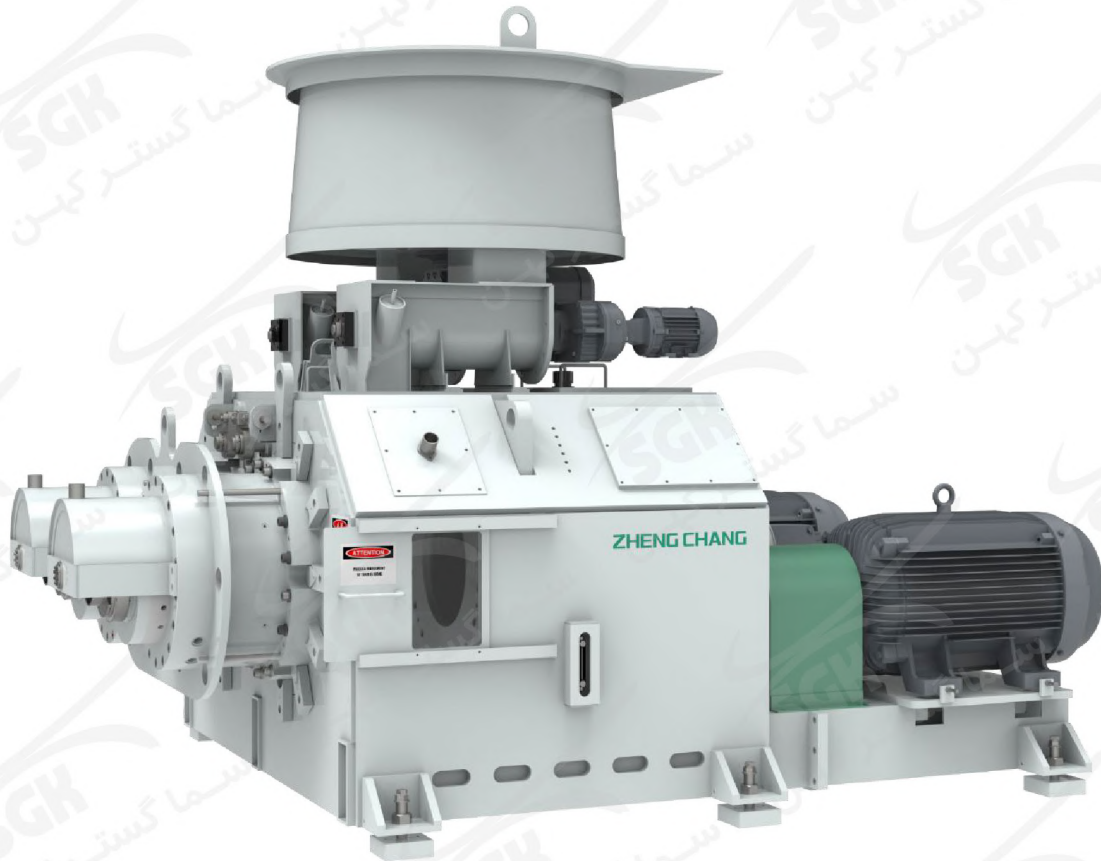


- Equipped with appropriate working width of the die according to the specific gravity of wood chips and the proportion of grass powder added;
- Equipped with a forced feeder to make the raw materials enter the pressing chamber more evenly;
- Improved the bearing of the main drive system, reduced the linear speed of the die, etc., to make the equipment run more stably;

Model	Power (KW)	Capacity (t/h)
MZLH420	90	1 ~ 1.5
MZLH508	132	1.5 ~ 2.5
MZLH768	220	2 ~ 3.5
MZLH858	250	3.5 ~ 4.5



## Double Die Pellet Mill



- Two dies roll against each other to obtain greater pressing force, which is convenient for pressing and forming of raw materials, and the die has a long service life;
- The main transmission adopts two-stage gear transmission to realize the low-speed and high-torque output of the die;
- The serpentine spring coupling with strong compensation ability is used between the motor and the gear shaft to make the transmission stable;
- The electric preheating device is used to heat the die before feeding the raw materials, so that it is easier to form after feeding;
- Equipped with hydraulic auxiliary drive device to ensure that the die hole is cleaned in the power failure state to prevent the die hole from being blocked.

Model	Power (KW)	Capacity (t/h)
PB815D	2×90 (frequency conversion)	5



## Processing and Heat Treatment Equipment





# Processing and Heat Treatment Equipment





## Pellet Mill Conditioning System



A variety of conditioner and hygienizer can be selected





# Application in Engineering Site



SZLH858A Pellet Mill Production Line



# Application in Engineering Site



SZLH420D Pellet Mill in Pig Feed Production Line



# Application in Engineering Site



SZLH508H Pellet Mill in Chicken Feed Production Line



## Application in Engineering Site



SZLH558E Pellet Mill in Chicken Feed Production Line



# Application in Engineering Site



SZLH678D Pellet Mill in Chicken Feed Production Line



## First-class Brand Outsourcing Parts Suppliers

**SEW**  
EURODRIVE

**TIMKEN**

**simrit**<sup>®</sup>

**SIEMENS**



**Honeywell**

**spirax**  
**sarco**

**NSK**

**AIRTAC**





# Thank You!

江苏正昌粮机股份有限公司

JIANGSU ZHENGCHANG CEREAL AND FEED MACHINERY CO., LTD

江苏省溧阳市经济开发区正昌路28号

No. 28, Zhengchang Road, economic development zone,  
Liyang City, Jiangsu Province

Tel: 0519-8730 9988

Fax: 0519-8730 9800

[www.zcme.com](http://www.zcme.com)



饲料机械 中国正昌